

# INSTRUCTION MANUAL



## KEPCO

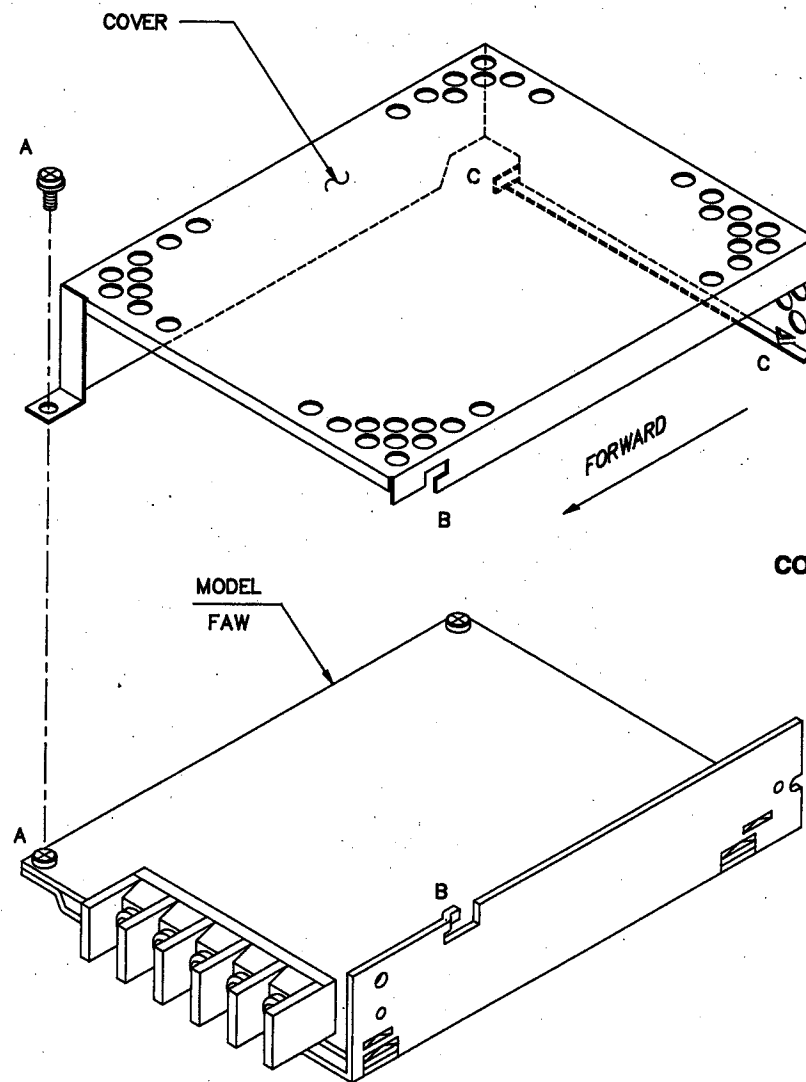
### CA-24 COVER

### ENCLOSURES AND HARDWARE SYSTEMS

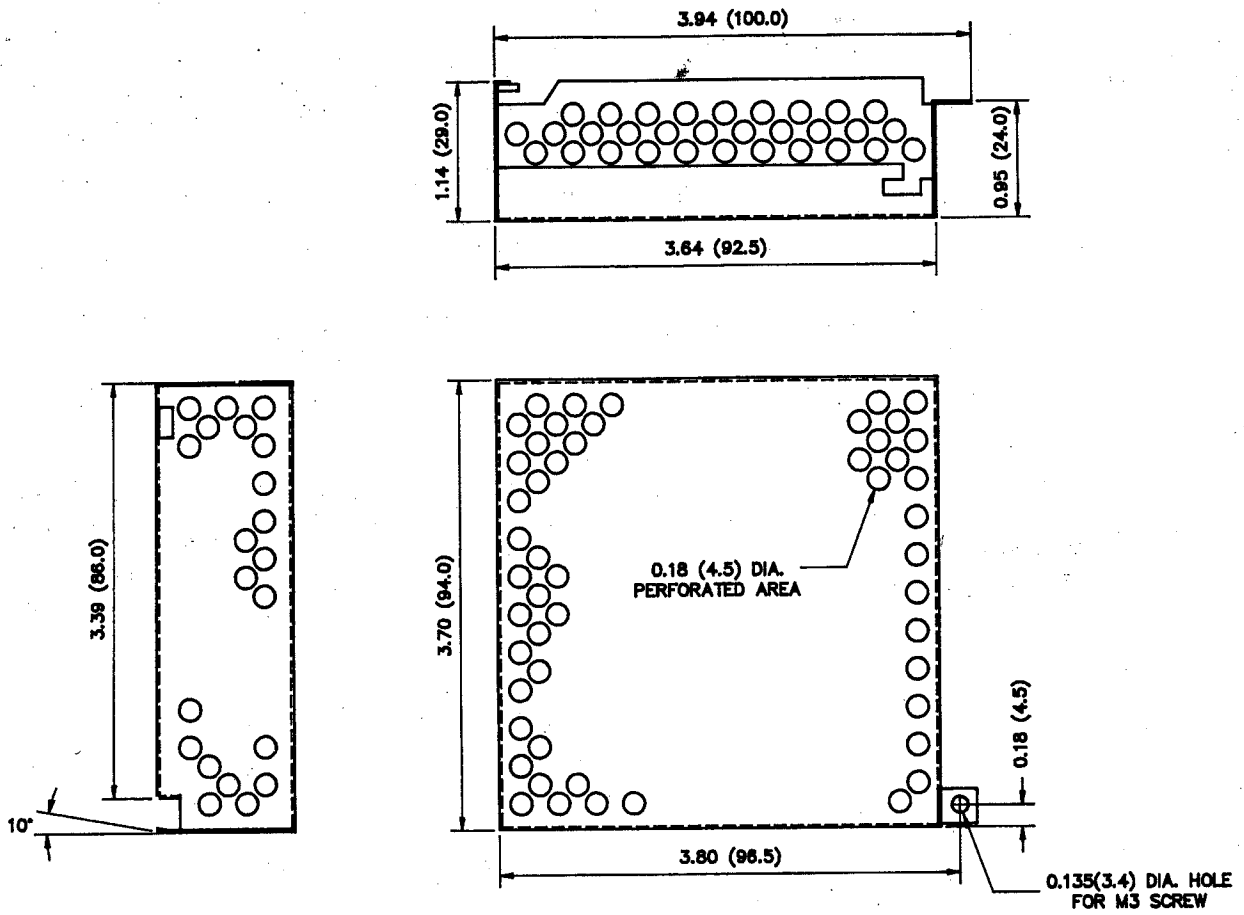
**DESCRIPTION:** The Kepco Model CA-24 cover is supplied for use with the Kepco FAW 15 Watt series of switching power supplies. The easily installed finished steel one-piece cover is a separate option designed for shielding and protection. The cover is attached with one screw from the FAW PCB Mounting.

#### INSTALLATION:

1. Remove PCB Mounting screw marked (A) and set aside.
2. Attach Cover: Engage tabs marked (B) on cover and FAW chassis, apply a slight downward pressure at this interlock point and push the cover forward. When cover is installed properly the FAW PC card will rest on top of flanges marked (C) and mounting hole in cover will align with mounting hole in FAW PC Card marked (A).
3. Fasten cover with screw marked (A).



**COVER INSTALLATION**



**NOTES:**

1. MATERIAL: 0.024 (0.6) CRS.
2. FINISH: ZINC PLATED, CHROMATE WASH.
3. DIMENSIONS: IN PARENTHESES ARE IN MILLIMETERS, OTHERS IN INCHES.
4. TOLERANCE:  $\pm 0.04$  ( $\pm 1$ ) UNLESS OTHERWISE SPECIFIED.

**OUTLINE DRAWING**